

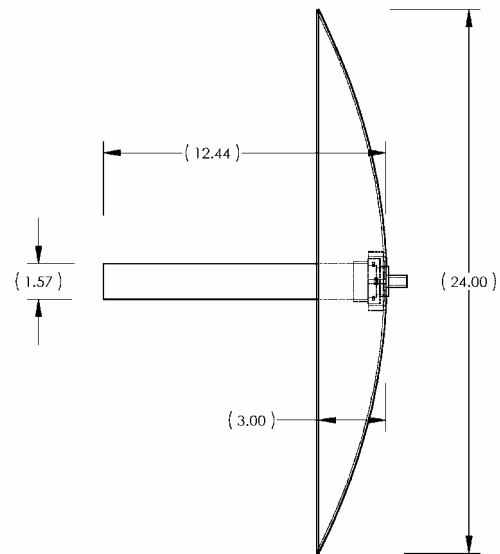
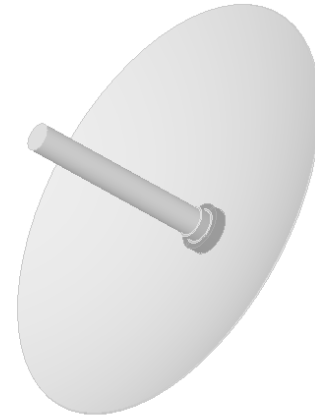


Epsilon 10 Microdesign

Axxyy.24

Axx-yy GHz 24" Dish, Feed and Bracket

The Axxyy.24 Assembly includes a 24" diameter high accuracy parabolic spun aluminum dish, a selection of wideband (xx-yy GHz) linear or circular feeds, and an integrated bracket. This parabolic reflector is designed for operation through Ka band. With standard quick release (shown) or fixed feeds, operation in any band and polarity is readily configured. Basic flat plate bracket is transformable to an enclosed tripod bracket. Folding and fixed brackets are also standard. The brackets are designed to provide mounting for portable microwave radios plus environmental protection. The Axxyy.24 is a truly versatile antenna, deployment from its compact stowed condition to on air, in any configuration, is accomplished in only minutes. Specifications and a sample of feed configurations are provided below.



| SPECIFICATIONS | |
|-------------------|---|
| Diameter: | 24 inch |
| f/d: | 0.5 |
| Power | 40 Watts |
| Finish: | Polyurethane White |
| Construction: | 090 H14 |
| Weight, less Brkt | 5 lbs |
| Dish Mechanical | 1.75" cntr 4 x .196" on 2.35" cir 4 x 5/16" on 9.0" cir |

| SELECTED FEEDS | | |
|----------------|--------------|-----------|
| F1725/RL.24 | 22 dB Lin/RL | 14° HPBW |
| F3040/R.24 | 26 dB Lin/R | 8.4° HPBW |
| F4060/R.24 | 29 dB Lin/R | 7° HPBW |
| F4060RL.24 | 29 dB R/L | 7° HPBW |
| F6080/R.24 | 31 dB Lin/R | 4.2° HPBW |
| F8010/R.24 | 34 dB Lin/R | 3.6° HPBW |
| F12-15.24 | 38 dB Lin | 1.9° HPBW |