

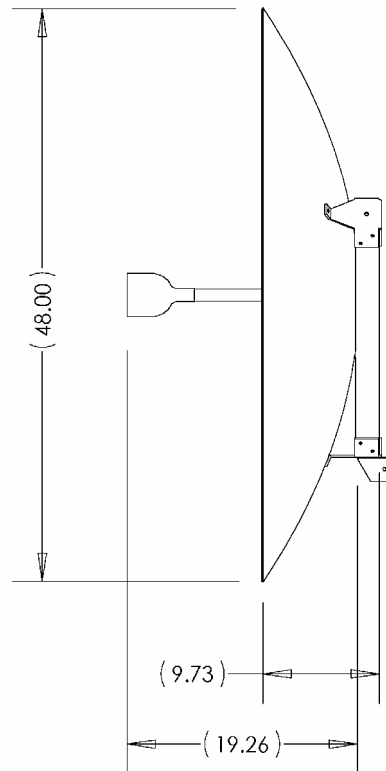


Epsilon 10 Microdesign

Axxyy.48

Axx-yy GHz 48" Dish, Feed and Bracket

The Axxyy.48 assembly includes a 48" diameter high accuracy parabolic spun aluminum dish, a selection of wideband (xx-yy GHz) linear or circular feeds, and an integrated bracket. This parabolic reflector is designed for operation through Ka band. With standard quick release or fixed feeds, operation in any band and polarity is readily configured. Folding and tower mount bracket (shown) are standard. The folding bracket is designed to provide portable tripod mount, the tower bracket is provided for fixed installations, with az-el adjust. The Axxyy.48 provides the highest practical gain for portable applications. This truly versatile antenna deploys from its stowed condition to on-air in minutes. Specifications and a sample of feed configurations are provided below.



SPECIFICATIONS	
Diameter:	48 inch
f/d:	0.375
Power	40 Watts
Finish:	Polyurethane White
Construction:	090/125 Alum
Weight, less Brkt	17/22 lbs
Dish Mechanical	1.75" cntr hole 4 #8 on 2.35" cir 4 5/16" on 9" cir 3 5/16" on 28" cir

SELECTED FEEDS		
F1725.48	26 dB	7.5° HPBW
F1727RL.48	RHCP/LHCP	
F4060/R.48	33 dB Lin / R	3.5° HPBW
F4060RL.48	RHCP/LHCP	
F6080/R.48	36 dB Lin / R	2.4° HPBW
F8010/R.48	38 dB Lin / R	
F12-15.30	42 dB	1.2° HPBW