

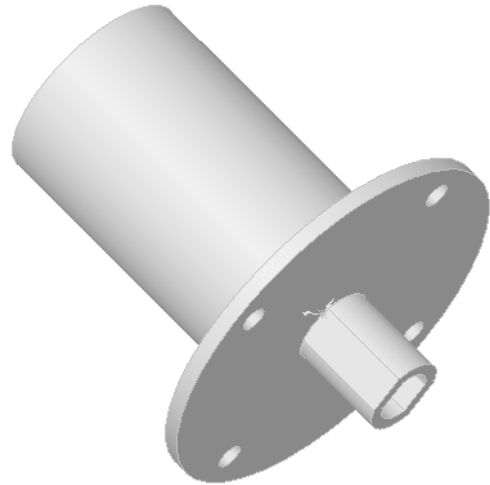


Epsilon 10 Microdesign

CC12-15.10

12 – 16 GHz 10 dB Coffee Can Horn

The CC12-15.10 is a wideband circularly symmetric cavity-backed low profile horn antenna available in linear, vertical/horizontal, or RHCP polarities. Mounting is provided via integrated base flange. These horns are used in space limited fixed installations, in ENG applications, and as feed horns in offset and symmetrical parabolic reflectors.



SPECIFICATIONS	
CC12-15.10	12.0 - 15.5 GHz LINEAR
CC12-15R.10*	12.0 - 15.5 RHCP
CC12-15HV.10*	12.0-15.5 GHz HOR/VER
Gain @ 13.0 GHz	10 dBi
HPBW H-plane	68°
HPBW E-plane	64°
First SL H-plane	none
First SL E-plane	19 dBc
Axial Ratio	2.5 dB
VSWR	1.5 : 1
Power	20W cw
Weight	4 oz
Finish	White Polyurethane
Mount	4 - #7 on 2.5" Circle
* = future product	

