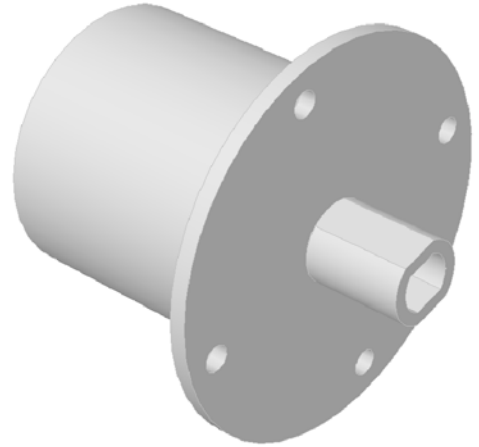


Epsilon 10 Microdesign

CC4060.10

4.0 – 6.0 GHz 10 dB Coffee Can Horn

The CC4060.10 is a wideband circularly symmetric cavity-backed low profile horn antenna available in linear, vertical/horizontal, or RHCP/LHCP polarities. Bottom or side mount connectors are available. Mounting is provided via integrated base flange. These horns are used in space limited fixed installations, in ENG applications, and as feed horns in offset and symmetrical parabolic reflectors.



SPECIFICATIONS	
CC4060.10	4.0 - 6.0 GHz LINEAR
CC4060RL.10	4.0 - 6.0 RHCP/LHCP
CC4060HV.10	4.0 - 6.0 HOR/VERT
Gain @ 5.0 GHz	10 dBi
HPBW H-plane	68°
HPBW E-plane	64°
First SL H-plane	none
First SL E-plane	19 dBc
Axial Ratio	2.5 dB
VSWR	1.5 : 1
Power	40W cw
Weight	7 oz
Finish	White Polyurethane
Mount	4 x #7 on 2.5" Circle

