

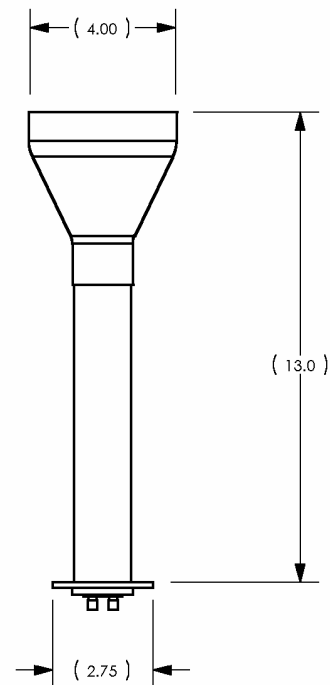


## Epsilon 10 Microdesign

### F1727R+7R.24/30/48

1.7 - 2.7 / 6 - 8 GHz RHCP Dual Band  
Center Fed Feeds

The F1727R+7R.xx is a RHCP dual band feed designed for standard Epsilon 24"/30"/48" reflectors. Cross band isolation is high, enabling simultaneous operation in both bands. This feed is available in both fixed and quick release configurations. This is a durable light weight antenna, ideally suited for ENG and fixed mount installations.



SPECIFICATIONS	
Low Band	1.7 - 2.7 GHz
Polarity	RHCP
High Band	6.0 - 8.0 GHz
Polarity	RHCP
Phase Center	12"/12"/18"
Axial Ratio	1.5 dB max
First Sidelobe	18 dBc
Power	40W cw
Connectors	2 x SMA(f)
Weight	10 oz
Finish	White Polyurethane
Mount	4 x #8 x 2.35" cir
Dish Center	1.75" hole reqd

GAINS @ BAND CENTER		
FEED	DISH	GAIN
F1727	24"	20
F1727	30"	22
F1727	48"	26
F6080	24"	30.4
F6080	30"	32.3
F6080	48"	36.4