

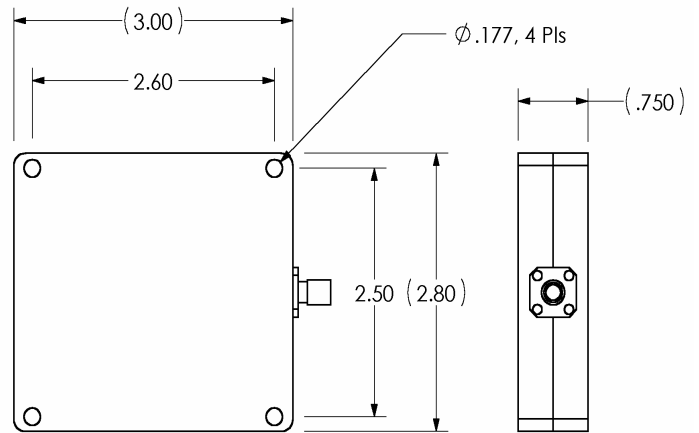
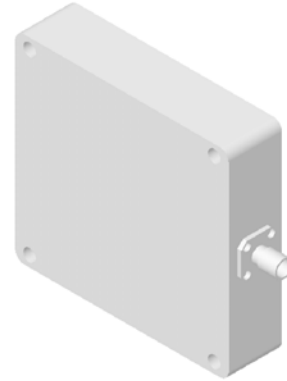


# Epsilon 10 Microdesign

## PAXxxxS

### 1.7 - 8.0 GHz Microstrip Patch Antennas Brick Radome, Side Mount

The PaxxxxS is a low profile side mount, light weight, microstrip patch antenna operating at xxxx MHz center frequency. Its hemispherical broad beam coverage makes it ideal for sector directional applications. This antenna's performance is similar to a discone but at a fraction of the cost. The patch is available in linear, RHCP, or LHCP polarities. Bandwidths range from 2-4% standard, to 4-6% or 6-10% wide. Specifications are provided below.



SPECIFICATIONS:	
PAxxxxS	2-4% bandwidth
PAxxxxWS	4-6% bandwidth
PAxxxxWWS	6-10% bandwidth
PAxxxxWWRS	RHCP
PAxxxxWWLS	LHCP
Gain:	7 dBi nominal
HPBW:	120° Elev / 85° Az
Polarity:	Lin, RHCP, or LHCP
Axial Ratio	4 dB max
VSWR	< 3.0:1
Power:	10 Watts
Weight:	1 Oz
Connector:	SMA(f)
Construction:	XPVC radome
Finish:	none
Mount:	4 x #8 on 2.5" x 2.6"

