

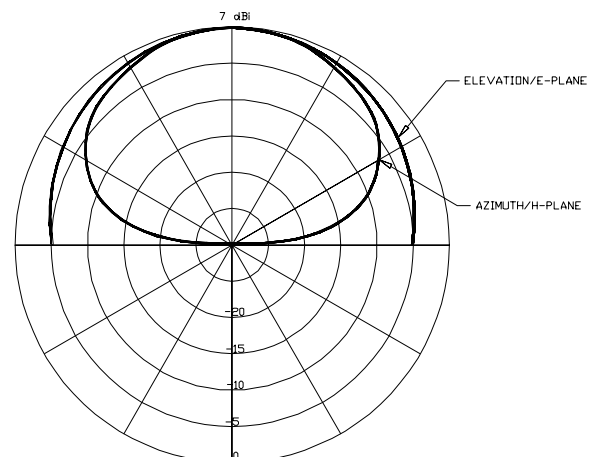
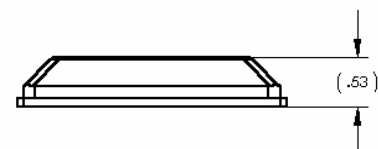
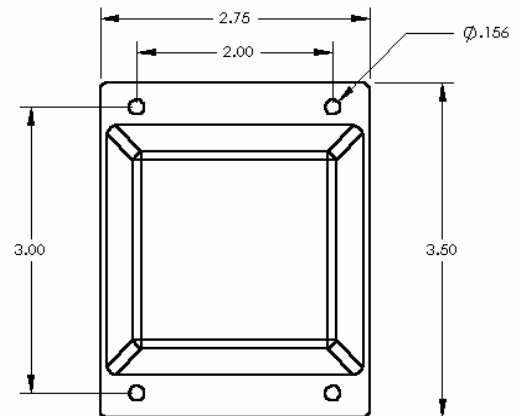


Epsilon 10 Microdesign

PAXxxx

1.7 - 4.0 GHz Microstrip Patch Antennas

The Paxxxx is a low profile, light weight, microstrip patch antenna operating at xxx MHz center frequency. Its hemispherical broad beam coverage makes it ideal for sector directional applications. This antenna's performance is similar to a discone but at a fraction of the cost. The patch is available in linear, RHCP, or LHCP polarities. Bandwidths range from 2% standard, to 4% or 6% wide. Specifications are provided below.



SPECIFICATIONS:	
PAXxxx	2% bandwidth
PAXxxxW	4% bandwidth
PAXxxxWW	6% bandwidth
PAXxxxWWR	RHCP
PAXxxxWWL	LHCP
Gain:	7 dBi nominal
HPBW:	120° Elev / 85° Az
Polarity:	Lin, RHCP, or LHCP
Axial Ratio	4 dB max
VSWR	< 3.0:1
Power:	10 Watts
Weight:	1 Oz
Connector:	SMA(f)
Construction:	Polystyrene radome
Finish:	none
Mount: S band	4 x #6 on 2.0" x 3.0"
L band	4 x #6 on 3.0" x 4.0"