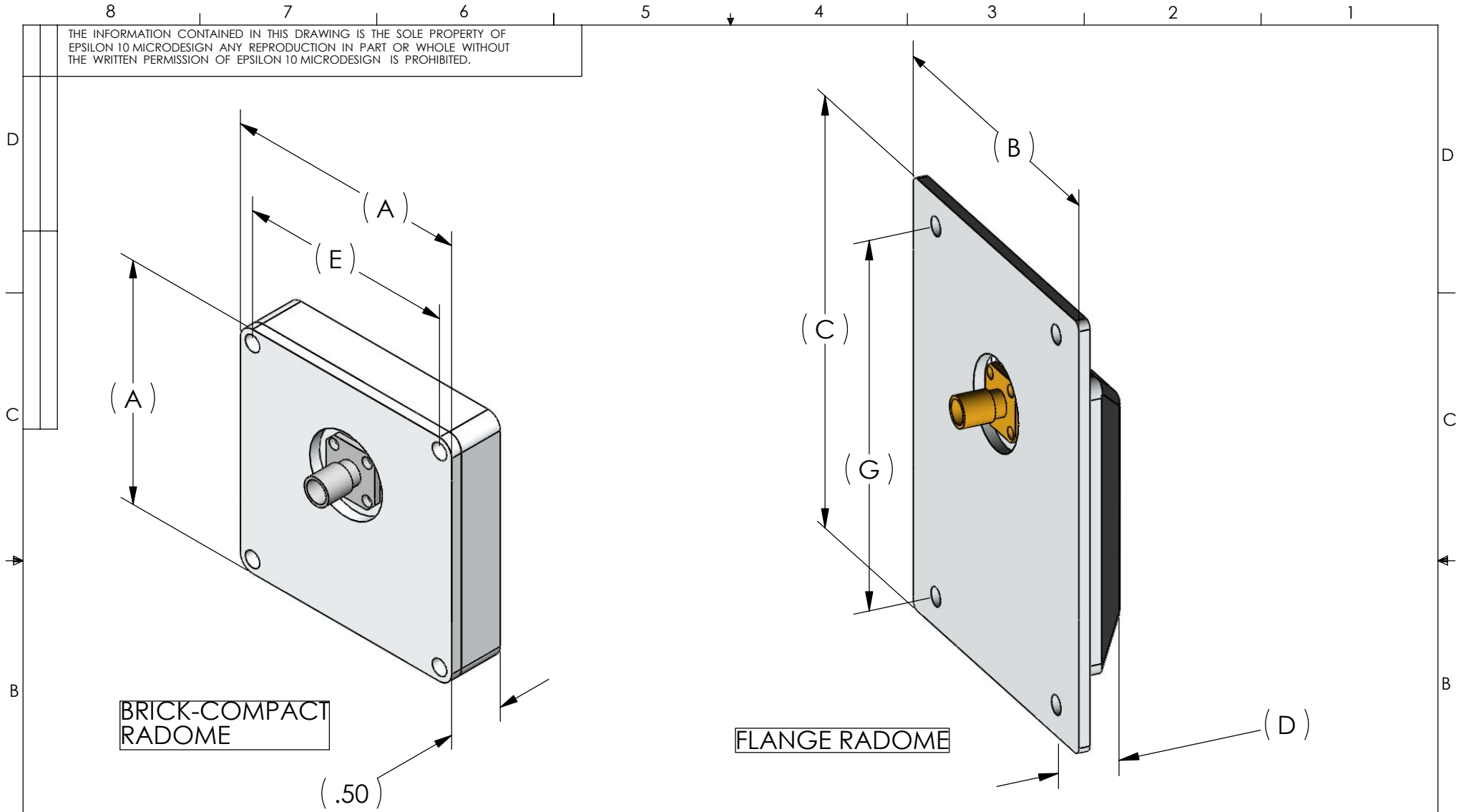


THE INFORMATION CONTAINED IN THIS DRAWING IS THE SOLE PROPERTY OF EPSILON 10 MICRODESIGN ANY REPRODUCTION IN PART OR WHOLE WITHOUT THE WRITTEN PERMISSION OF EPSILON 10 MICRODESIGN IS PROHIBITED.



BRICK-COMPACT RADOME

FLANGE RADOME

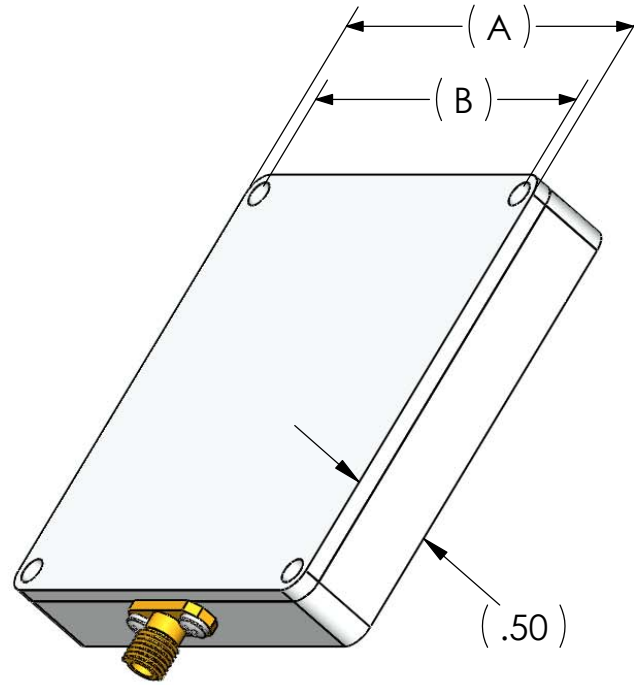
(.50)

BAND	DIM A	DIM B	DIM C	DIM D	DIM E	DIM F	DIM G
1700	2.675	3.850	4.450	0.650	2.425	3.000	4.000
2400	2.175	2.750	3.500	0.500	1.925	2.000	3.000
3000	1.775	2.750	3.500	0.500	1.525	2.000	3.000
4000+	1.500	2.750	3.500	0.500	1.250	2.000	3.000

NEXT ASSY	USED ON
FSCM NO.	1H6L8

ITEM NO.	PART OR IDENTIFYING NO.	NOMENCLATURE OR DESCRIPTION	MATERIAL SPECIFICATION	QTY REQD
PARTS LIST				
UNLESS OTHERWISE SPECIFIED DIMENSIONS ARE IN INCHES TOLERANCES ARE:		CAD GENERATED DRAWING. DO NOT MANUALLY UPDATE		
FRACTIONS DECIMALS ANGLES		APPROVALS	DATE	
±1/64	.X ± .1	DRAWN RML	4-16-03	
	.XX ± .01	CHECKED		
	.XXX ± .001	RESP ENG		
MATERIAL	xPVC/Styrene	MFG ENG		
FINISH	--	QUAL ENG		
DEBUR ALL SURFACES		EPSILON 10 MICRODESIGN Patch Antennas Back Mount		
SIZE A	DWG. NO. 200-00530-00	REV. --		
SCALE NONE	CAD FILE: --	SHEET -- OF		

THE INFORMATION CONTAINED IN THIS DRAWING IS THE SOLE PROPERTY OF EPSILON 10 MICRODESIGN ANY REPRODUCTION IN PART OR WHOLE WITHOUT THE WRITTEN PERMISSION OF EPSILON 10 MICRODESIGN IS PROHIBITED.



BAND	DIM A	DIM B
1700	2.675	2.425
2400	2.175	1.925
3000	1.775	1.525
4000+	1.5	1.25

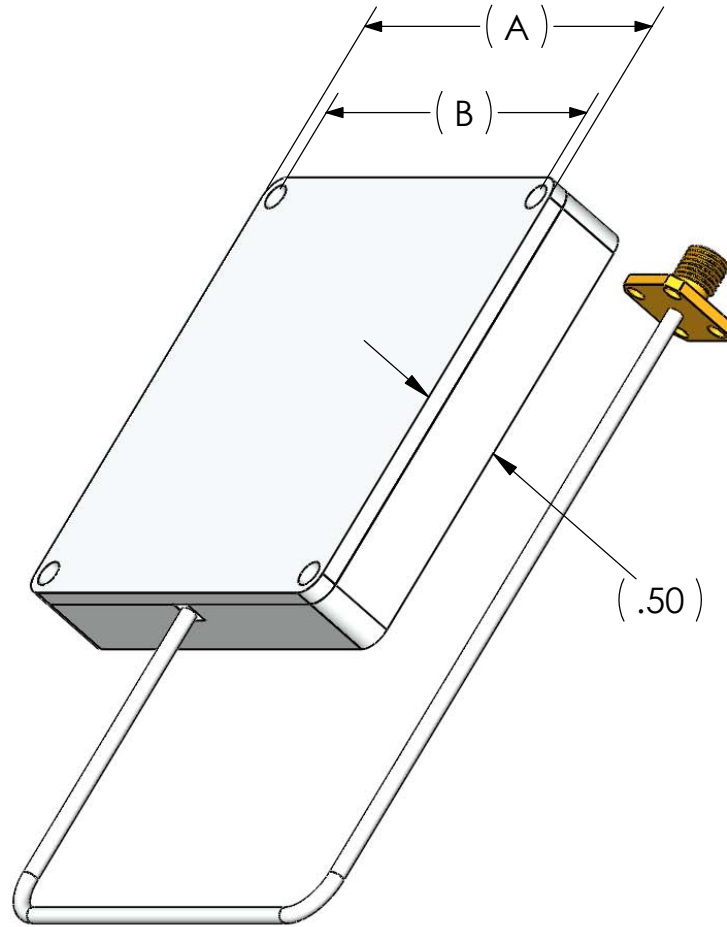
ITEM NO.	PART OR IDENTIFYING NO.	NOMENCLATURE OR DESCRIPTION	MATERIAL SPECIFICATION	QTY REQD
PARTS LIST				
UNLESS OTHERWISE SPECIFIED DIMENSIONS ARE IN INCHES TOLERANCES ARE:		CAD GENERATED DRAWING, DO NOT MANUALLY UPDATE		
FRACTIONS DECIMALS ANGLES		APPROVALS	DATE	
±1/64	.X ± .1	DRAWN RML	4-16-03	
	.XX ± .01	CHECKED		
	.XXX ± .001			
MATERIAL		RESP ENG		
xPVC				
FINISH		MFG ENG		
--				
NEXT ASSY	USED ON	QUAL ENG		
FSCM NO.	1H6L8	DEBUR ALL SURFACES		
		SCALE NONE CAD FILE: -- SHEET -- OF		



Patch Antennas Side Mount

SIZE A DWG. NO. 200-00532-00 REV. --

THE INFORMATION CONTAINED IN THIS DRAWING IS THE SOLE PROPERTY OF EPSILON 10 MICRODESIGN ANY REPRODUCTION IN PART OR WHOLE WITHOUT THE WRITTEN PERMISSION OF EPSILON 10 MICRODESIGN IS PROHIBITED.



BAND	DIM A	DIM B
1700	2.675	2.45
2400	2.175	1.925
3000	1.775	1.525
4000+	1.5	1.25

ITEM NO.	PART OR IDENTIFYING NO.	NOMENCLATURE OR DESCRIPTION	MATERIAL SPECIFICATION	QTY REQD
PARTS LIST				
UNLESS OTHERWISE SPECIFIED DIMENSIONS ARE IN INCHES TOLERANCES ARE:		CAD GENERATED DRAWING. DO NOT MANUALLY UPDATE		
FRACTIONS ±1/64		DECIMALS .X ± .1 .XX ± .01 .XXX ± .001	ANGLES ± .5	
		APPROVALS	DATE	
		DRAWN RML	4-46-03	
		CHECKED		
MATERIAL xPVC		RESP ENG		
FINISH --		MFG ENG		
NEXT ASSY	USED ON	QUAL ENG		
FSCM NO.	1H6L8	DEBUR ALL SURFACES		
		SCALE NONE	CAD FILE: --	SHEET -- OF



Patch Antennas Cable Mount

SIZE A	DWG. NO. 200-00534-00	REV. --
--------	-----------------------	---------