

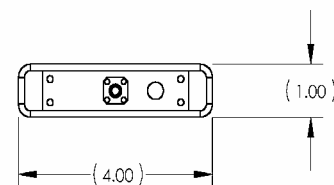
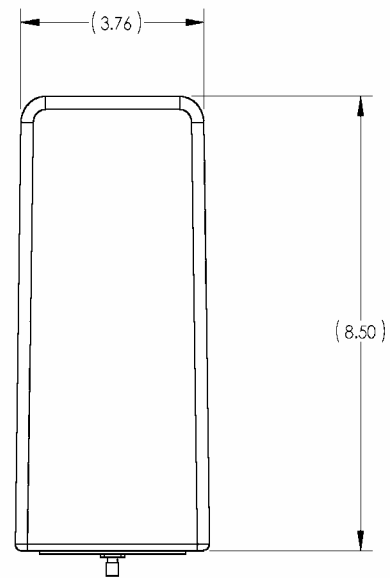


Epsilon 10 Microdesign

Yxxyy.10R

1.7 - 2.1 GHz Yagis, Radome Covered

The Yxxyy.10R is a linear polarity directional yagi array antenna that provides 10 dB gain in 10% bandwidth segments of the 1.7-2.7 GHz band. The linear polarization pattern provides a maxima on boresite with proportional beamwidths in both E and H plans. These antennas are compact, light-weight and low cost. The 10 dB versions include a standard ABS radome with a 1/4-20 stud mount base. These antennas are designed for short range broadcast and surveillance applications.



SPECIFICATIONS	
Y1719.10R	1.71 - 1.85 GHz
Y1921.10R	1.99 - 2.11 GHz
Gain	10 dBi
Polarity	Linear
HPBW H-plane	60 °
HPBW E-plane	40 °
VSWR	<1.7 :1
Power	20 W cw
Weight	6 oz.
Connector:	SMA(f)
Construction	ABS radome
Mount	1/4-20 unc PEM nut